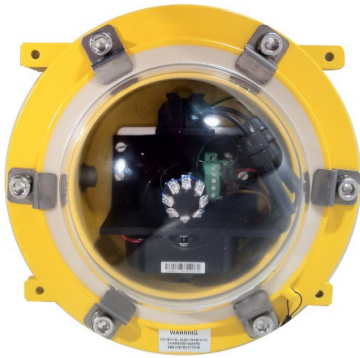
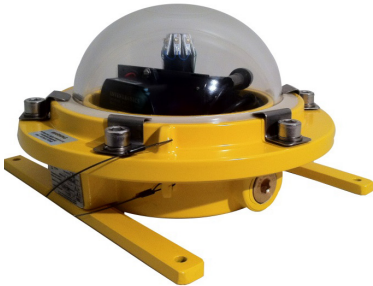




FA-156EX 04

Zone 1 Red LED Helideck Status Light Repeater



OVERVIEW

The FA-165EX 04 is an LED based Low Intensity Red Helideck Status Light Repeater designed for extreme environments such as high UV and marine conditions encountered on offshore oil and gas production facilities, drilling rigs and refineries.

Designed to be placed in remote locations, the lantern incorporates very long lived LEDs to minimize scheduled maintenance. The FA-165EX LEDs are mounted on metal core PCBs with patented integrated heat pipes to cool the LED arrays without a cooling fan. This highly efficient, passive, cooling system gives the LED array the highest design life in the marketplace (greater than 60,000 hours).

FA-165EX 04: 5 Watt Red LED array providing the required candela for repeaters for helideck status lights conforming to CAP 437 requirements.

CERTIFICATES

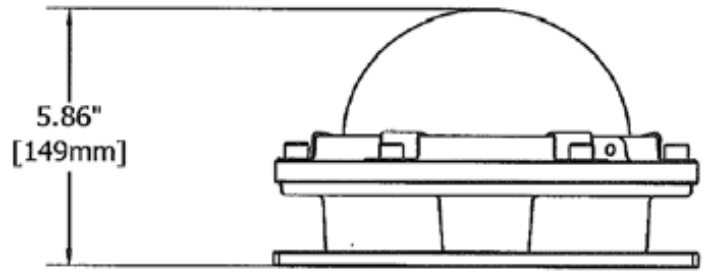
- EC-Type Examination Certification
Certificate No.: ITS10ATEX17055X
Coding: II 2 G Ex d IIB T5 Tamb -20°C to +55°C Gb
Optional: Tamb -40°C to +55°C Gb
- Certificate No.: IECEx ITS 10.0041X
Coding: Ex d IIB T5 Tamb -40°C/-20°C to +55°C Gb (Dependent on Model)
- Certificate No.: NCC 17.0084 X (INMETRO – Brazilian Market)
Coding: Ex d IIB T5 Gb Tamb -20°C to +55°C
Optional: Tamb -40°C to +55°C

KEY FEATURES

- Two options for electronic controllers:
 - 100-240 \pm 10% VAC 50-60 Hz internal controller
 - 20-30 VDC Helideck Status Light Controller (can be remotely located up to 500m away)
- 40W maximum internal power dissipation
- Integrated heat pipe eliminates need for cooling fan
- No moving parts
- Cover is tempered toughed glass, able to withstand high temperature and impact
- Base is impregnated, anodized and painted cast marine grade aluminum
- Stainless steel hardware
- Four 7mm diameter mounting holes. 229 mm (9") x 191 mm (7 17/32")

PHYSICAL SPECIFICATIONS

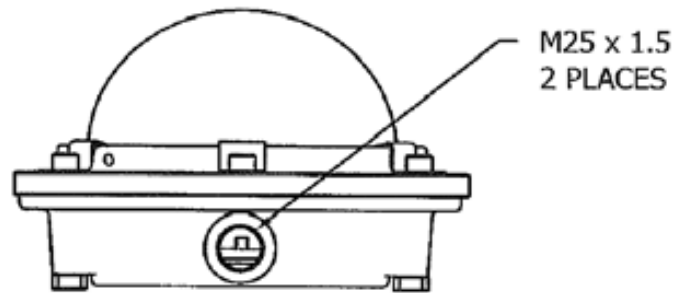
Height	150 mm (5.86")
Weight	5 kg (12 lbs.)
Input Voltage	100-240 VAC or 20-30 VDC
Power Consumption	5W
Available Colours	Red
Quiescent Current	14mA
Lens Type	Tempered Glass
Visibility	Conforms to CAP 437 Requirements
Vertical Divergence	0° to 90°
Monitor and Control	Located in Status Light Controller
Synchronization	Cabling
Lantern Housing	Epoxy Coated Cast Marine Grade Aluminum Base
Operating Temperature	-20°C to +55°C (-40°C Optional)
Ingress Rating	IP-66



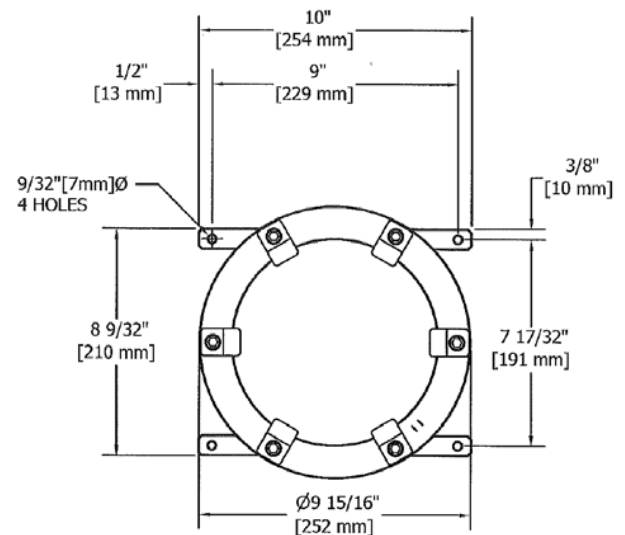
FRONT VIEW

The following ordering matrix is designed to assist you in the selection of the correct unit for your application. Build up the reference number by inserting the code for each component into the appropriate box.

Model	Led Assembly	Voltage/ Electronics	Temperature	Photocell						
165EX	5R	2D	<input type="text"/>	A1						
			<table border="1"> <thead> <tr> <th>Temp</th> <th>Code</th> </tr> </thead> <tbody> <tr> <td>-20°C</td> <td>4</td> </tr> <tr> <td>-40°C</td> <td>6</td> </tr> </tbody> </table>	Temp	Code	-20°C	4	-40°C	6	None
Temp	Code									
-20°C	4									
-40°C	6									



SIDE VIEW



TOP VIEW



**All values are subject to change without notice.*

Pharos Marine Automatic Power, Inc.
Houston, TX - USA
sales@automaticpower.com
Phone: +1-713-228-5208

Pharos Marine Automatic Power
Gray, LA - USA
rleblanc@automaticpower.com
Phone: +1-985-223-8700

Pharos Marine Automatic Power, Ltd.
London, UK
sales@pharosmarine.com
Phone: +44-20-8538-

AB Pharos Marine Pte.
Singapore
sales@pharos-api.com
Phone: +65-6747-9325