



# DUPLEX FA-250EX 962

*Zone 1 LED Marine Lantern System*

*10 - 15NM at 0.74T*



## OVERVIEW

The Duplex FA-250EX962 Lantern System is a marine obstruction beacon that features a 10NM and 15NM FA-250EX-962 flashing lantern (1 each) mounted on a galvanized steel stanchion. The system accommodates all the statutory requirements for offshore structures and is certified for operation in Zone 1 hazardous areas. It is compliant with IALA/North Sea requirements and is ATEX certified Ex 'd' IIB T4/T5/T6.

## CERTIFICATES

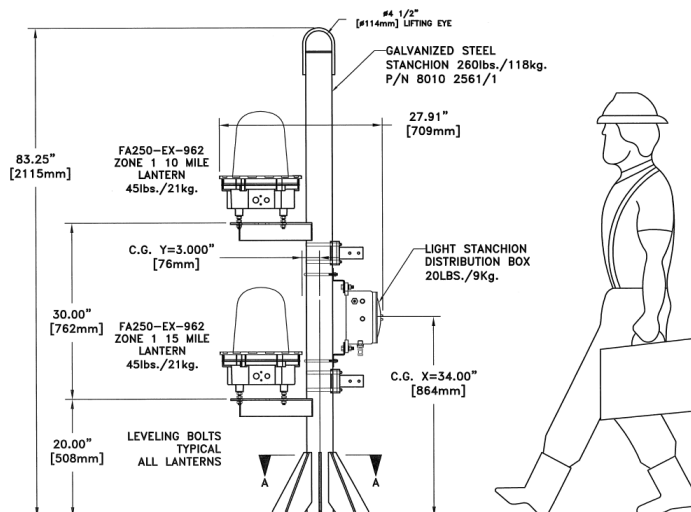
- EC-Type Examination Certificate
- Certificate No.: Intertek ITS10ATEX17118X  
Coding: II 2 G Ex d IIB T4/5/6
- Certificate No.: IECEx ITS 10.0040X  
Coding: Ex d IIB T4/5/6 Tamb -20°C/-40°C to +40°C/+55°C Gb  
(Dependent on Model)
- Epsilon IP Certificate Number: 04TEST1386

## KEY FEATURES

- All serviceable components on tower
- Up to 1640 ft. separation between LED engine and power supply
- Patented optics eliminate ground scatter
- Patented heat pipe thermal management system eliminates need for moving parts; this highly efficient, passive cooling system gives the LED array the highest design life in the marketplace (greater than 60,000 hours)

## PHYSICAL SPECIFICATIONS

Height	2115mm (83.25")
Weight	168kg (370 lbs.)
Power Consumption	300W (15NM); 27W (10NM)
Available Colours	White
Quiescent Current	≥ 60mA
Lens Type	Tempered Toughened Glass
Visibility	270° Omnidirectional
Vertical Divergence	2.5° to 50%
Monitor and Control	External Controller Required
Synchronization	Hard Wire (Optional)
Lantern Housing	Marine Epoxy Coated Cast LM-6 Aluminum Base
Operating Temperature	-20°C to +55°C (-40°C Optional)
Ingress Rating	IP-67



*\*All values are subject to change without notice.*

**Pharos Marine Automatic Power, Inc.**  
Houston, TX - USA  
sales@automaticpower.com  
Phone: +1-713-228-5208

**Pharos Marine Automatic Power**  
Gray, LA - USA  
rleblanc@automaticpower.com  
Phone: +1-985-223-8700

**Pharos Marine Automatic Power, Ltd.**  
London, UK  
sales@pharosmarine.com  
Phone: +44-20-8538-

**AB Pharos Marine Pte.**  
Singapore  
sales@pharos-api.com  
Phone: +65-6747-9325